



XL WING

PARTS CATALOGUE

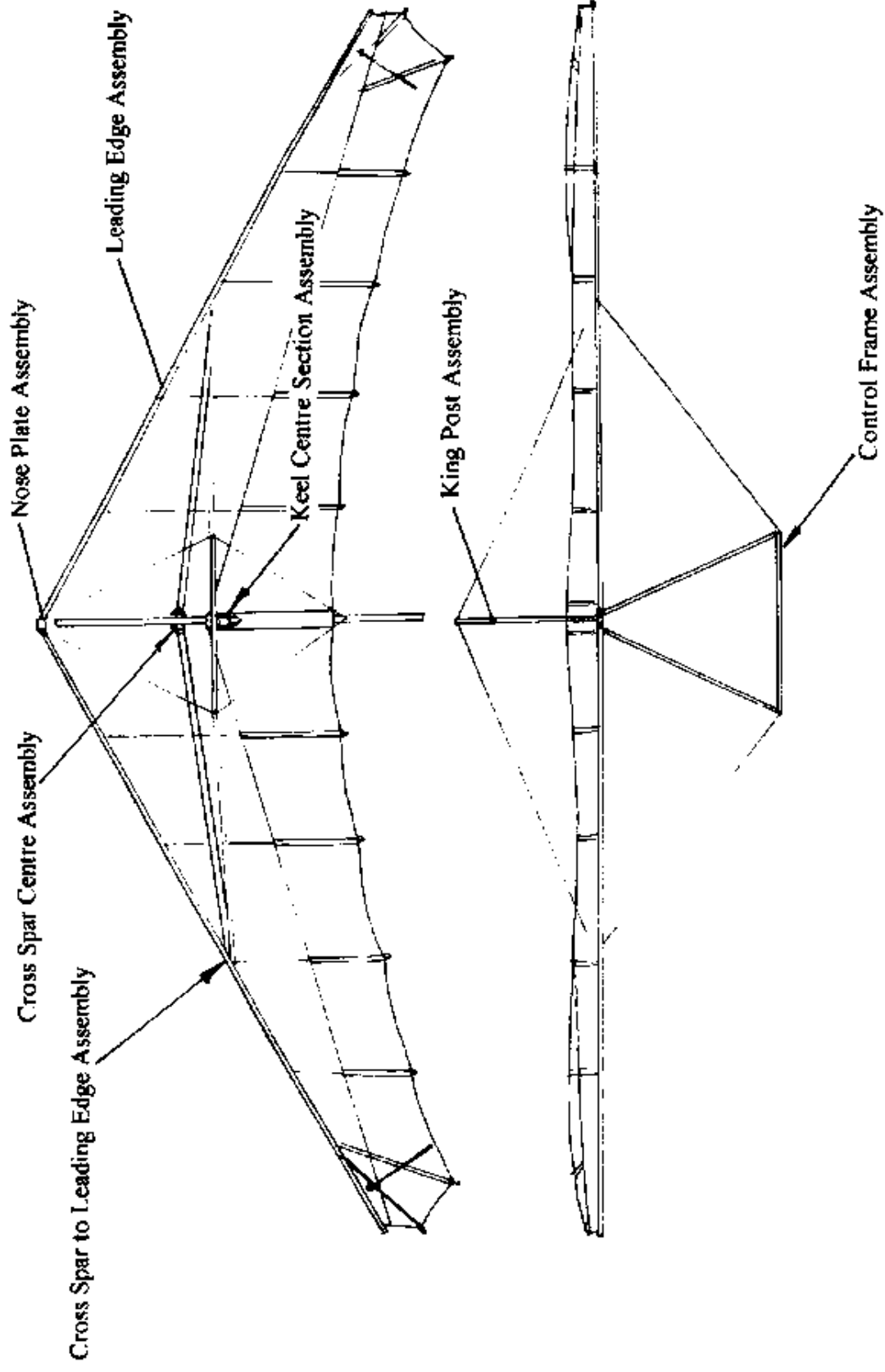


Pegasus Aviation, Elm Tree Park, Manton, Marlborough, Wiltshire SN8 1PS, UK
Telephone: +44 (0)1672 861578 Fax: +44 (0) 1672 861550
sales@pegasusaviation.co.uk www.pegasusaviation.co.uk

CONTENTS

| SECTION | PAGE |
|--------------------------------------|-------------|
| GENERAL ARRANGEMENT | 1 |
| PARTS LIST | |
| Nose Plate / Keel assembly | 2 |
| Leading edge assembly | 3 |
| Cross spar assembly | 4 |
| Control Frame and King Post Assembly | 5 |
| Miscellaneous Components | 6 |
| DRAWINGS | |
| Nose Plate Assembly | 8 |
| Keel Centre Section Assembly | 9 |
| Rear Rigging to Keel Assembly | 10 |
| Leading Edge Assembly | 11 |
| Cross Spar to Leading Edge Assembly | 12 |
| Cross Spar Centre Assembly | 13 |
| King Post Assembly | 14 |
| Control Frame Assembly | 15 |

GENERAL ARRANGEMENT



NOSE PLATE / KEEL ASSEMBLY

| Item | Description | Part No. |
|------|---------------------------------------|-------------|
| 1 | 122mm PUSH PINS | FP-001 |
| 2 | XL ROLL BRACKET RETAINING CHANNEL | ZCH-005 |
| 3 | NOSE 'S' CATCH CHANNEL | ZCH-006 |
| 4 | XL CONTROL FRAME CHANNEL | ZCH-008 |
| 5 | XL ROLL BRACKET RET'G RING ALLY | ZMA-009 |
| 6 | CONTROL FRAME TOP SWIVEL ALLY | ZMA-010 |
| 7 | XL HANG BOLT (FBU6-40) | ZMI~-005 |
| 8 | XL THRUST WASHER | ZMS-005 |
| 9 | XL SUSPENSION BRACKET (SMS300-301) | zMS-0 10 |
| 10 | NOSE PLATE | ZPL-003 |
| 11 | XL KEEL TUBE | YXL-31301 |
| 12 | XL ANTI FLOAT WEBBING | YXL-31660 |
| 13 | XL ROLL BRACKET BEARING | YXL-31325 |
| 14 | 3 1/2 x 1/4 UNF HEX BOLT | FBU4-34 |
| 15 | 3 1/4 x 1/4 UNF HEX BOLT | FBU4-32 |
| 16 | 3 x 1/4 UNF HEX BOLT | FBU4-30 |
| 17 | 1/4 UNF P TYPE NYLOCK NUT | FNU4-NP |
| 18 | 114 x 13/16 STEEL CLEVIS PINS | FPCP-001 |
| 19 | 5/8 SAFETY RINGS | FPSR-001 |
| 20 | 1/8 DIA x 3/8 MONEL POP RIVET | FR4-12-001 |
| 21 | 1/4 MILD STEEL WASHER T4LP | FW4-T4 |
| 22 | 1/4 x 1 114 x 1/16 MIIL) STEEL WASHER | FW4-14 |
| 23 | 28mm EXTERNAL CIRCLIP | FX-002 |
| 24 | 2" BLACK END PLUG GR 2576 | PEP16-001 |
| 25 | No 10 x 1/2" SCREW | FMSST-004 |
| 26 | 2 118" x M8 PLASTIC SADDLE (LARGE) | PMS-M8-211, |
| 27 | 2 1/8 " x M8 PLASTIC SADDLE (SMALL) | PMS-M8-21S |

LEADING EDGE ASSEMBLY

| Item | Description | Part No. |
|-------------|----------------------------------|-----------------|
| 35 | LEADING EDGE CHANNEL | ZCH-010 |
| 36 | WASHOUT ROD INSERT PLUG | ZIN-010 |
| 37 | XL LEADING EDGE ASSEMBLY (LEFT) | YXL-31100 |
| 38 | XL LEADING EDGE ASSEMBLY (RIGHT) | YXL-31200 |
| 39 | XL WASHOUT ROD | YXL-72130 |
| 40 | XL COMPRESSION STRUT SOCKETS | |
| 41 | 3 x 1/4" UNF HEX HT BOLT | FBU4-30 |
| 42 | 2 3/4 x 1/4" UNF HEX HT BOLT | FBU4-26 |
| 43 | 11 A UNF P TYPE NYLOCK NUT | M4-NP |
| 44 | 1/8 DIA x 3/8 MONEL POP RIVET | FR4-12-001 |
| 45 | 5/32 DIA x 17/32 MONEL POP RIVET | FR5-17-001 |
| 46 | 2" BLACK END PLUG | PEP16-001 |
| 47 | 2 1/4" M8 PLASTIC SADDLE | PMS-M8-22 |
| 48 | 6mm RAISED SKIFFY - CAP ONLY | PMC-RSC6 |
| 49 | 6mm SKIFFY - RING ONLY | PMC-SB6 |
| 50 | 5mm SHOCK CORD | VSCS-001 |

CROSS SPAR ASSEMBLY

| Item | Description | Part No. |
|-------------|--------------------------------------|-----------------|
| 60 | PIVOT BOX PLATES UNSLOTTED | ZPL-006 |
| 61 | PIVOT BOX PLATES SLOTTED | ZPL-007 |
| 62 | CROSS SPAR PIVOT BOX SPACER | ZSP-002 |
| 63 | CROSS SPAR - LEFT | YXL-31620 |
| 64 | CROSS SPAR - RIGHT | YXL-31630 |
| 65 | UPPER RESTRAINT CABLE | YXL-31640 |
| 66 | LOWER RESTRAINT CABLE | YXL-31642 |
| 67 | CROSS SPAR CENTRE PLATE COVER | YXL-31652 |
| 68 | 4 x 5/16 UNF HEX BOLT | FBU5-40 |
| 69 | 3 1/2 x 1/4 UNF HEX BOLT | FBU4-34 |
| 70 | 3 x 1/4 UNF HEX BOLT | FBU4-30 |
| 71 | 5/16 UNF CASTLE NUT | FNU5-CN |
| 72 | 1/4 UNF P TYPE NYLOCK NUT | FNU4-NP |
| 73 | 1116 x 1 " ST'LESS STEEL SPLIT PIN | FPSP-002 |
| 74 | 1/4 MILD STEEL WASHER T4LP | FW4-T4 |
| 75 | 1/4 x 1 1/4 x 1/16 MILD STEEL WASHER | FW4-14 |
| 76 | 8mm RAISED SKIFFY - CAP ONLY | PMC-RSC8 |
| 77 | 8nun SKIFFY - RING ONLY | MC-SB8 |
| 78 | 8mm SKIFFY - CAP ONLY | PMC-SC8 |
| 79 | 1/4 PLASTIC NUT CAP | PMC-NC4 |
| 80 | 2 1/4 x M8 PLASTIC SADDLE | MS-M8-22 |
| 81 | RESTRAINT CABLE | YXL-31640 |

CONTROL FRAME AND KING POST ASSEMBLY

| Item | Description | Part No. |
|-------------|--------------------------------|-----------------|
| 90 | 36mm PUSH PINS | FP-002 |
| 91 | HOCKEY STICK GRIPS | PNM-009 |
| 92 | 16 SWG STANDARD MALE KNUCKLE | ZKN-106 |
| 93 | 13 SWG STANDARD FEMALE KNUCKLE | ZKN-107 |
| 94 | 13 SWG SLOTTED FEMALE KNUCKLE | ZKN-108 |
| 95 | CONTROL FRAME SIDE | YXL-51000 |
| 96 | BASE BAR | YXL-51200 |
| 97 | KING POST | YXL-41000 |
| 98 | LOWER RIGGING SIDE CABLE | YXL-61 100 |
| 99 | UPPER RIGGING SIDE / SIDE | YXL-62100 |
| 100 | 1 3/4 x 5/16 UNF HEX BOLT | FBUS-16 |
| 101 | 2 1/4 x 1/4 UNF HEX HT BOLT | FBU4-22 |
| 102 | 13/14 x 1/4 UNF HEX HT BOLT | FBU4-16 |
| 103 | 5/16 UNF P TYPE NYLOCK NUT | FNU5-NP |
| 104 | 1/4 UNF P TYPE NYLOCK NUT | FNU4-NP |
| 105 | 5/8 SAFETY RING | FPSR-001 |
| 106 | 114 MILD STEEL WASHER T4LP | FW4-T4 |
| 107 | 2 114 M8 PLASTIC SMALL SADDLE | IMS-M8-22S |
| 108 | UPPER RIGGING FRONT / REAR | YXL-62200 |
| 109 | OUTER LUFF LINE | YXL-63 100 |
| 110 | INNER LUFF LINE | YXL-63200 |
| 111 | KING POST TOP PLUG | ZMA-007 |
| 112 | 1 1/8 BLACK END CAP | PEC9-001 |
| 113 | STRIP SHACKLE | RS-1 |
| 114 | PLASTIC SHEAVE | RP-5 |
| 115 | LOWER REAR CABLE | YXL-61200 |
| 116 | LOWER FRONT CABLE | YXL-61300 |
| 117 | 1/8 DIA x 1/2 POP RIVET | FR4-16-001 |

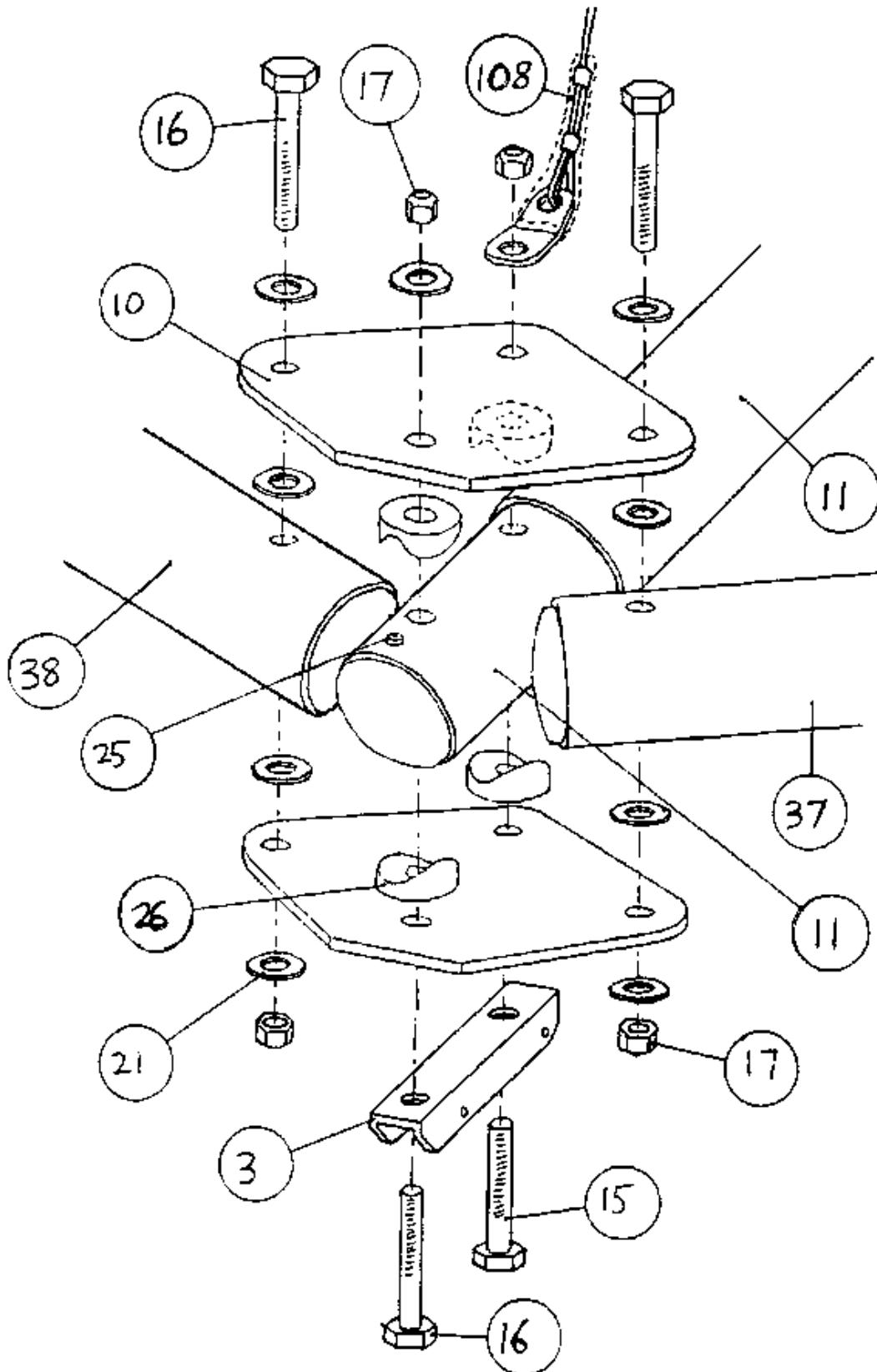
MISCELLANEOUS COMPONENTS

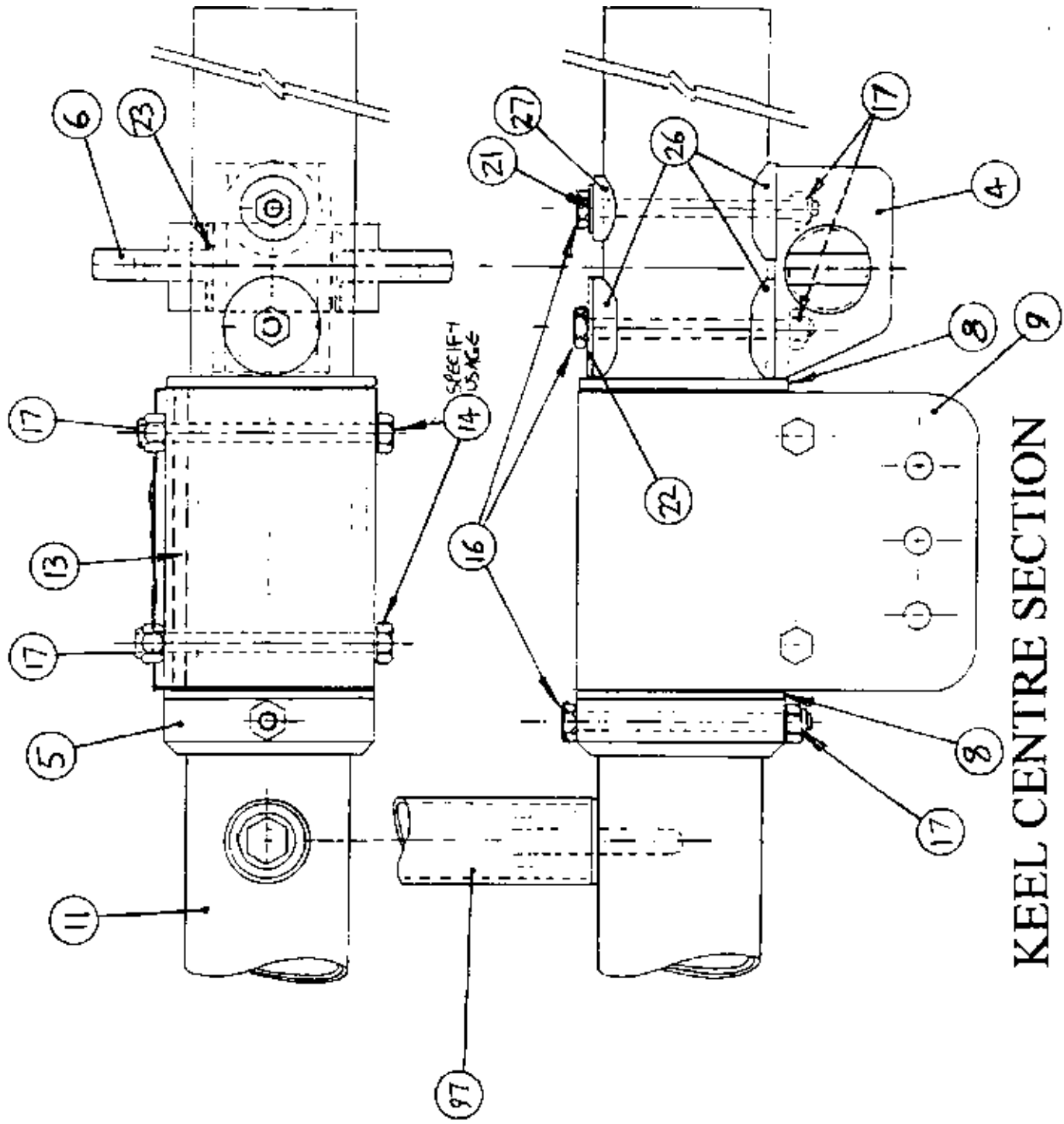
| Item | Description | Part No. |
|-------------|------------------------------------|-----------------|
| 125 | BATTEN PLAN | DBPX-001 |
| 126 | CARRYING BAG | YXL-055 |
| 127 | RESTRAINT LEVER | YXL-090 |
| 128 | VELCRO STRAPS | VW50-00 |
| 129 | WASHOUT ROD COLLET | ZSP-041 |
| 130 | LEADING EDGE CHANNEL SPACER | ZSP-001 |
| 131 | HALF ROUND SPACER | ZSP-026 |
| 132 | 3 1/4 x 5/16 UNF HEX BOLT DRILLED | |
| 133 | 3 1/4 x 5/16 UNF HEX BOLT | FBU5-32 |
| 134 | AN5-25 AIRCRAFT HEX BOLT | FBAS-25 |
| 135 | 2 3/4 x 1/4 UNF HEX BOLT | FBU4-26 |
| 136 | 1 1/2 x 1/4 UNF HEX BOLT | FBU4-14 |
| 137 | No 12 x 1 " C/SUNK- PAN HEAD SCREW | FMSST-001 |
| 138 | 3/8 UNF WING NUT | FNU6-WN_ |
| 139 | 5/16 UNF P TYPE NYLOCK | FNU5-NP |
| 140 | 15/16 UNF WING NUT | FNU5-AIN |
| 141 | 1/4 UNF P TYPE NYLOCK NUT | I7NU4-NP |
| 142 | 1/4 UNF T TYPE NYLOCK NUT | FNU4-NT |
| 143 | 5/8 SAFETY RING | FPSR-001 |
| 144 | 1/4 MILD STEEL WASHER T4LP | FW4-T4 |
| 145 | 6mm RAISED SKIFFY - CAP ONLY | PMC-RSC6 |
| 146 | 6mm SKIFFY - RING ONLY | PMC-S136 |
| 147 | 8nun SKIFFY - RING ONLY | PMC-S138 |
| 148 | 8mm SKIFFY - CAP ONLY | PMC-SC8 |
| 149 | 5/8 BLACK END CAP | PEC5-001 |
| 150 | 5/16 PLASTIC NUT CAP - BLACK | PMC-NC5 |
| 151 | 5/16 GRP RIB REAR ENDS | PN1R215-RR13 |
| 152 | 2 1/4 x M8 PLASTIC SADDLE | PMS-M8-22 |
| 153 | 2 1/4 x M8 PLASTIC SADDLE - SMALL | PMS-M8-22S |
| 154 | 1400LB 8 PLAIT NYLON CORD | VNR-002 |

MISCELLANEOUS COMPONENTS (continued)

| | | |
|-----|-------------------------------|------------|
| 156 | M8 BEL. WASHER | FWM8-BEL |
| 157 | 10mm SKIFFY - RING ONLY | PMC-SBI0 |
| 158 | 5/16 MILD STEEL WASHER T4LP | M5-T4 |
| 159 | 10mm RAISED SKIFFY - CAP ONLY | IPMC-RSCI0 |

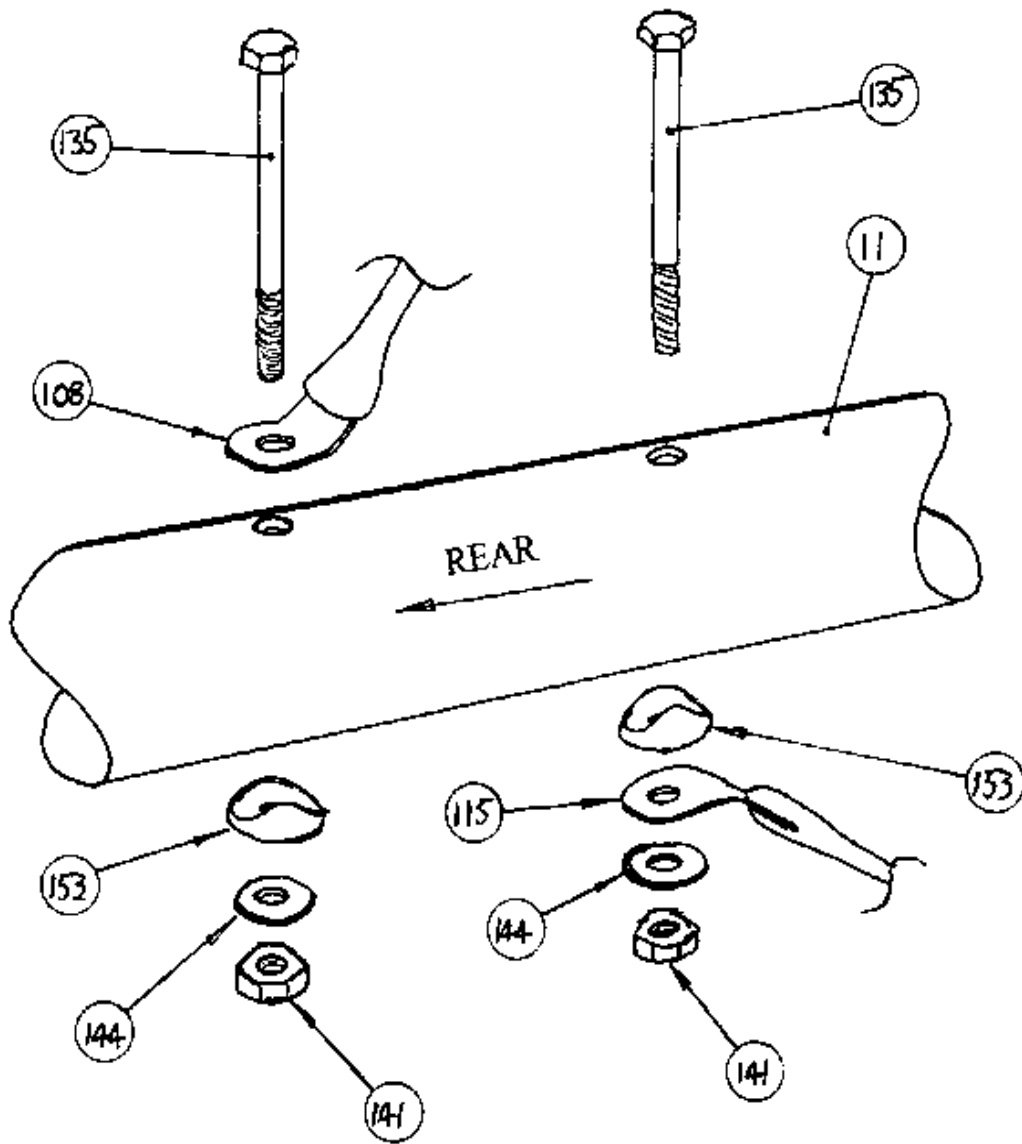
NOSE PLATE ASSEMBLY



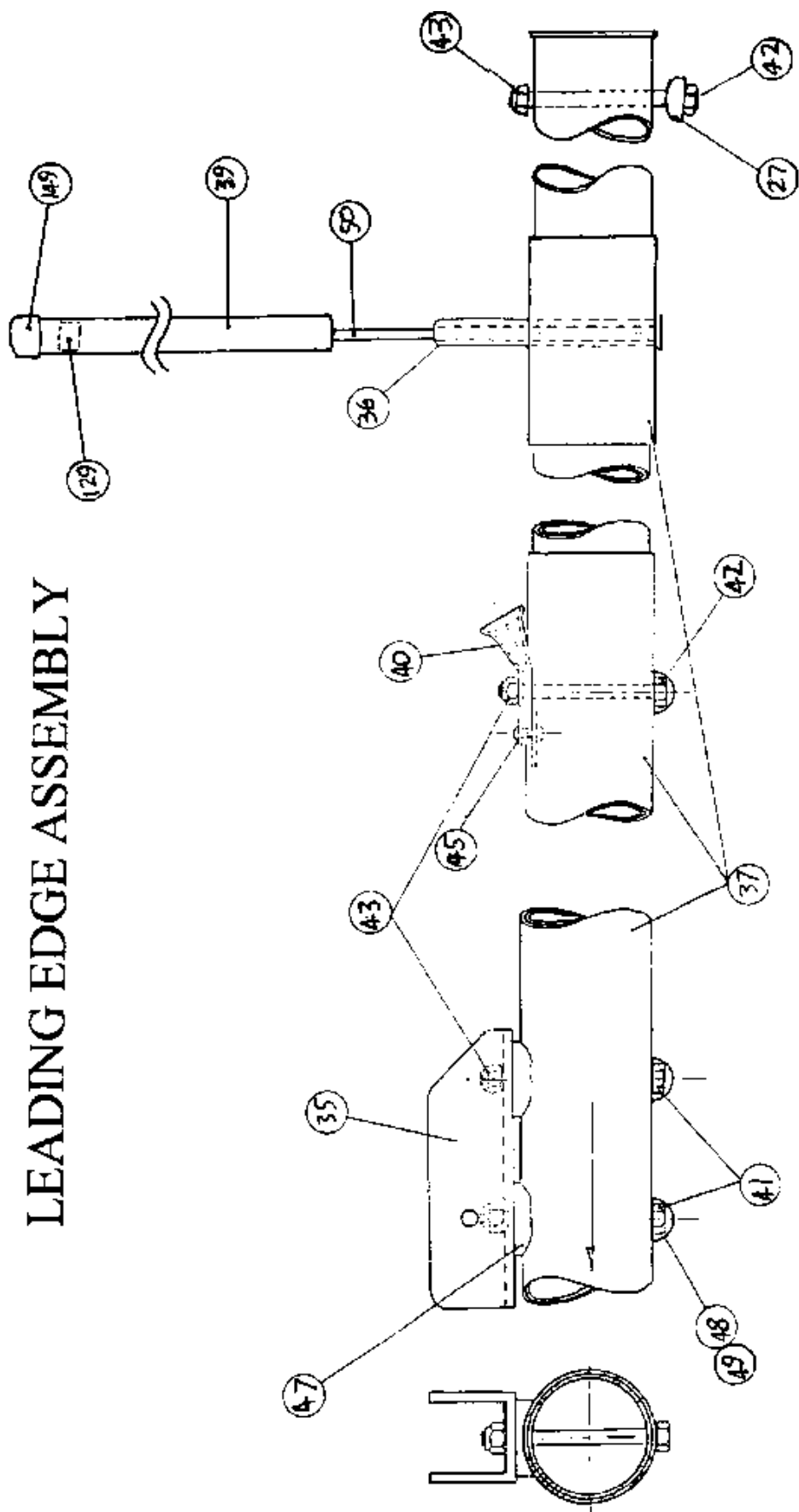


**KEEL CENTRE SECTION
 ASSEMBLY**

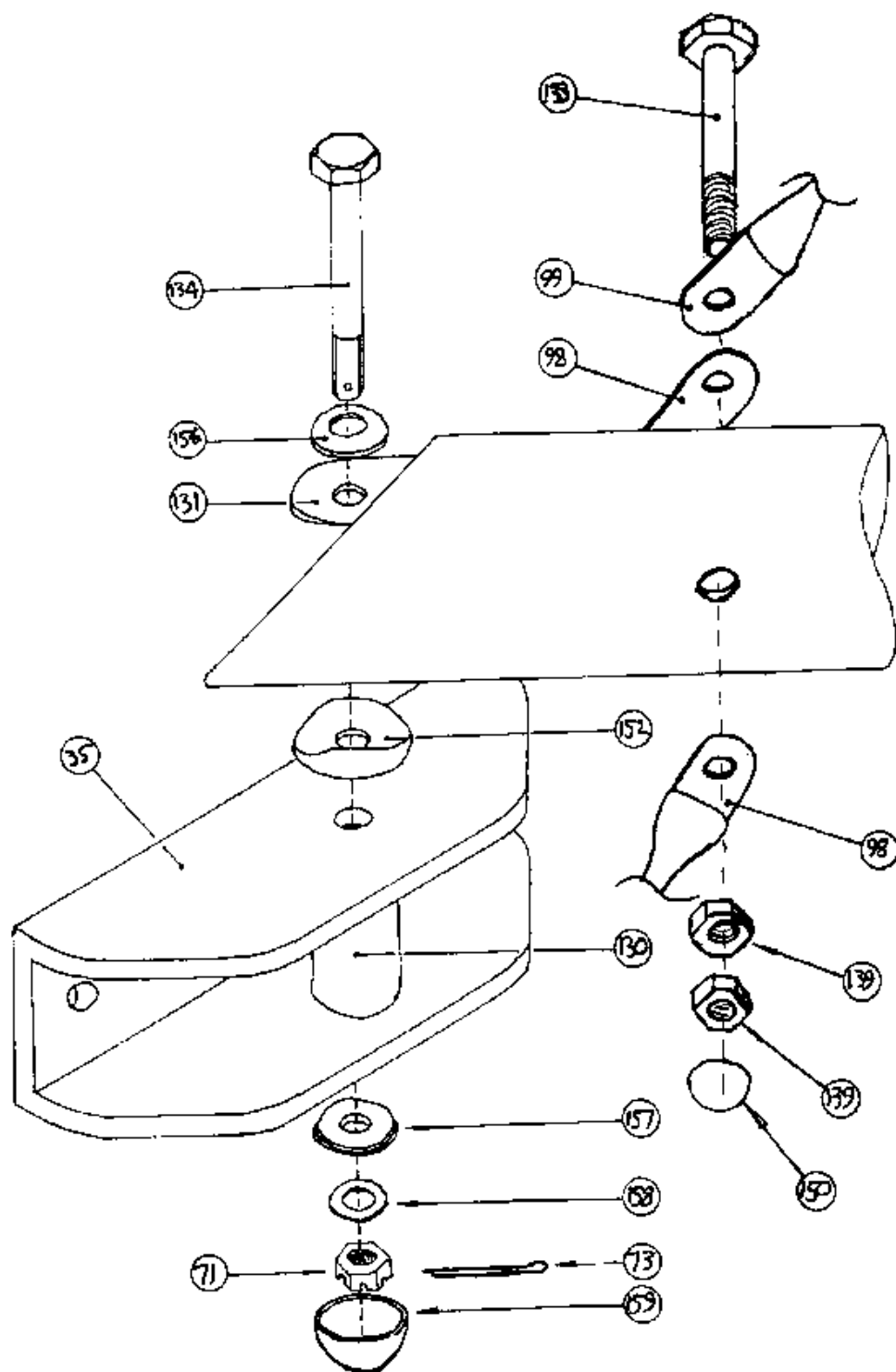
REAR RIGGING TO KEEL ASSEMBLY

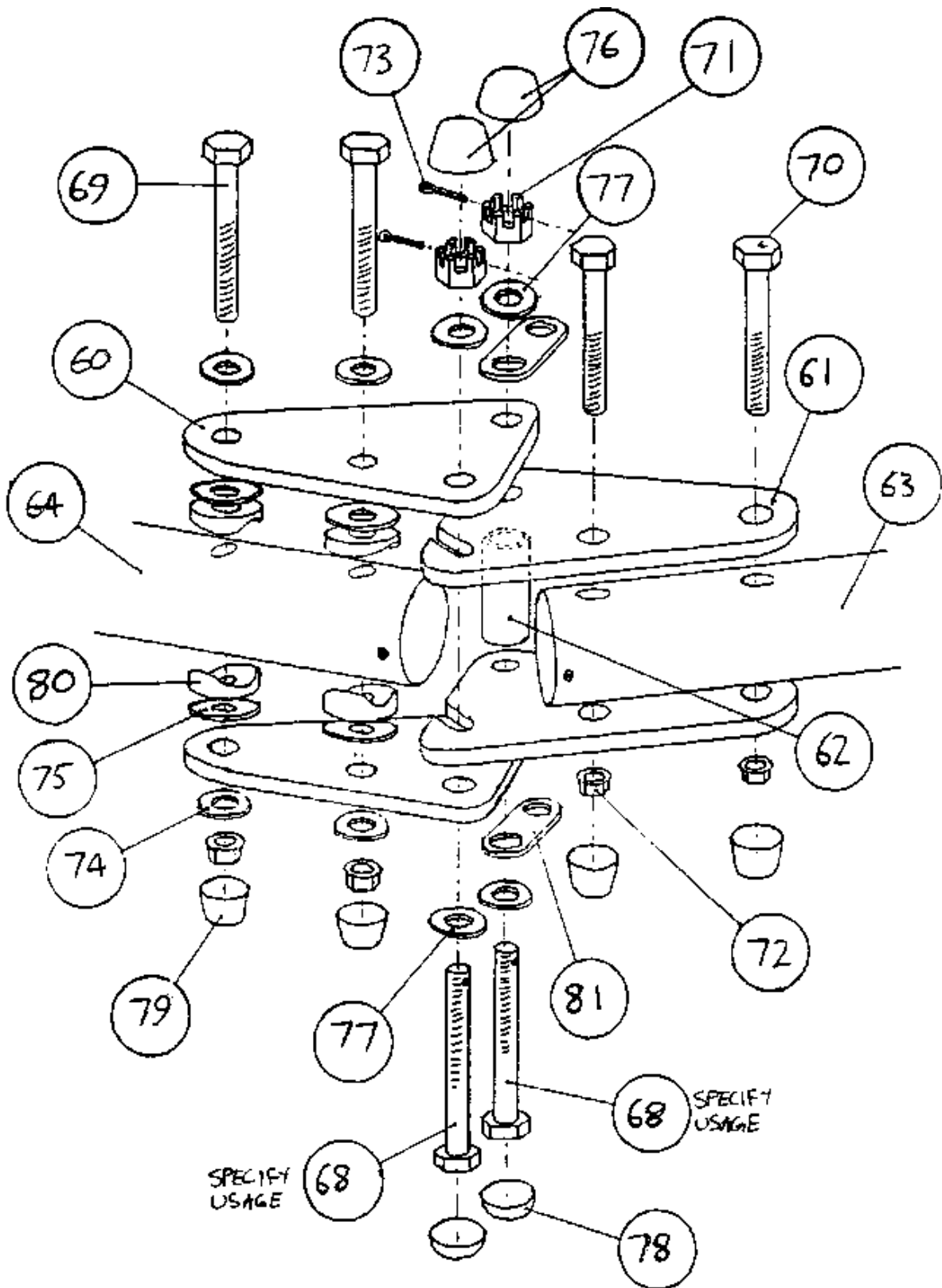


LEADING EDGE ASSEMBLY

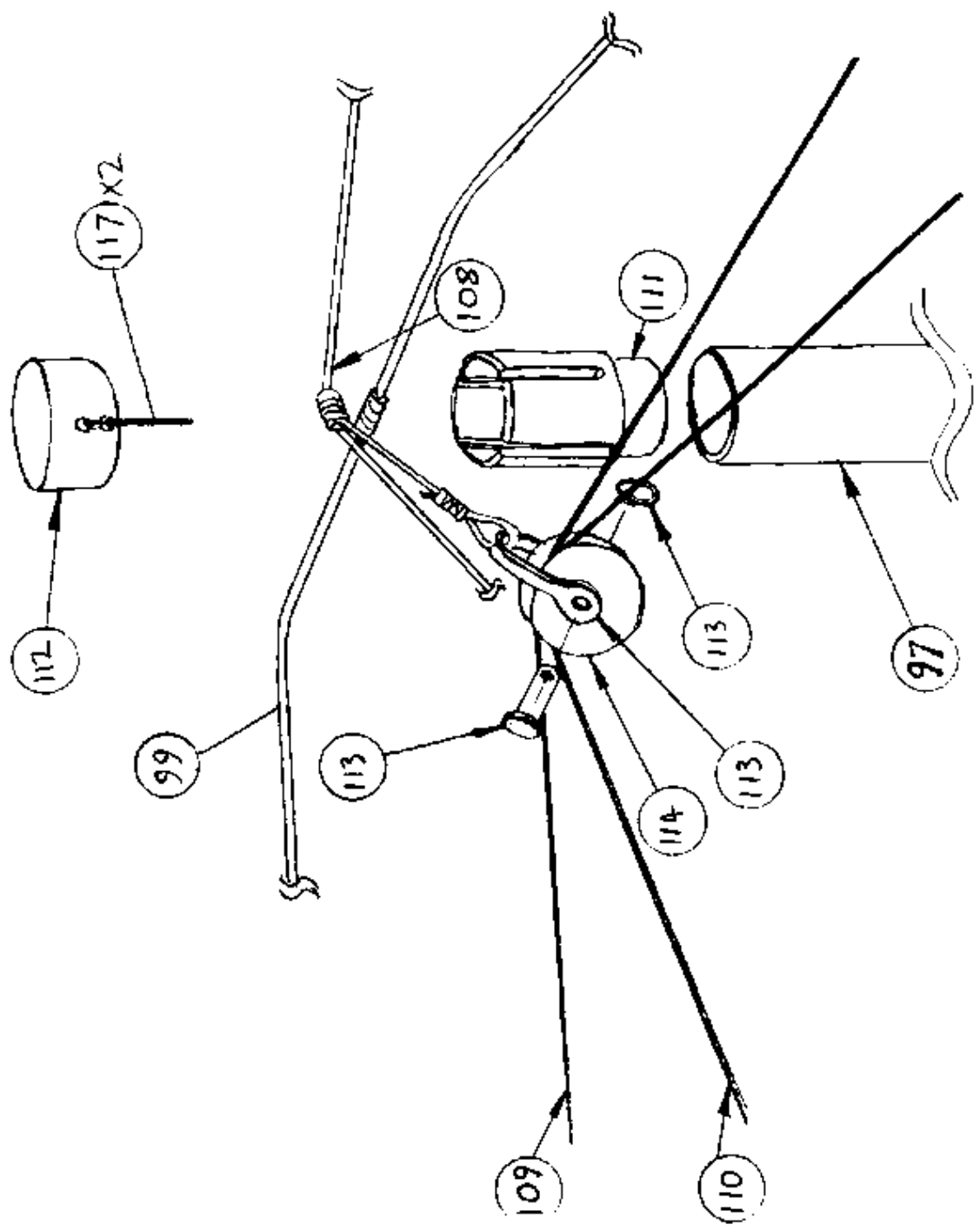


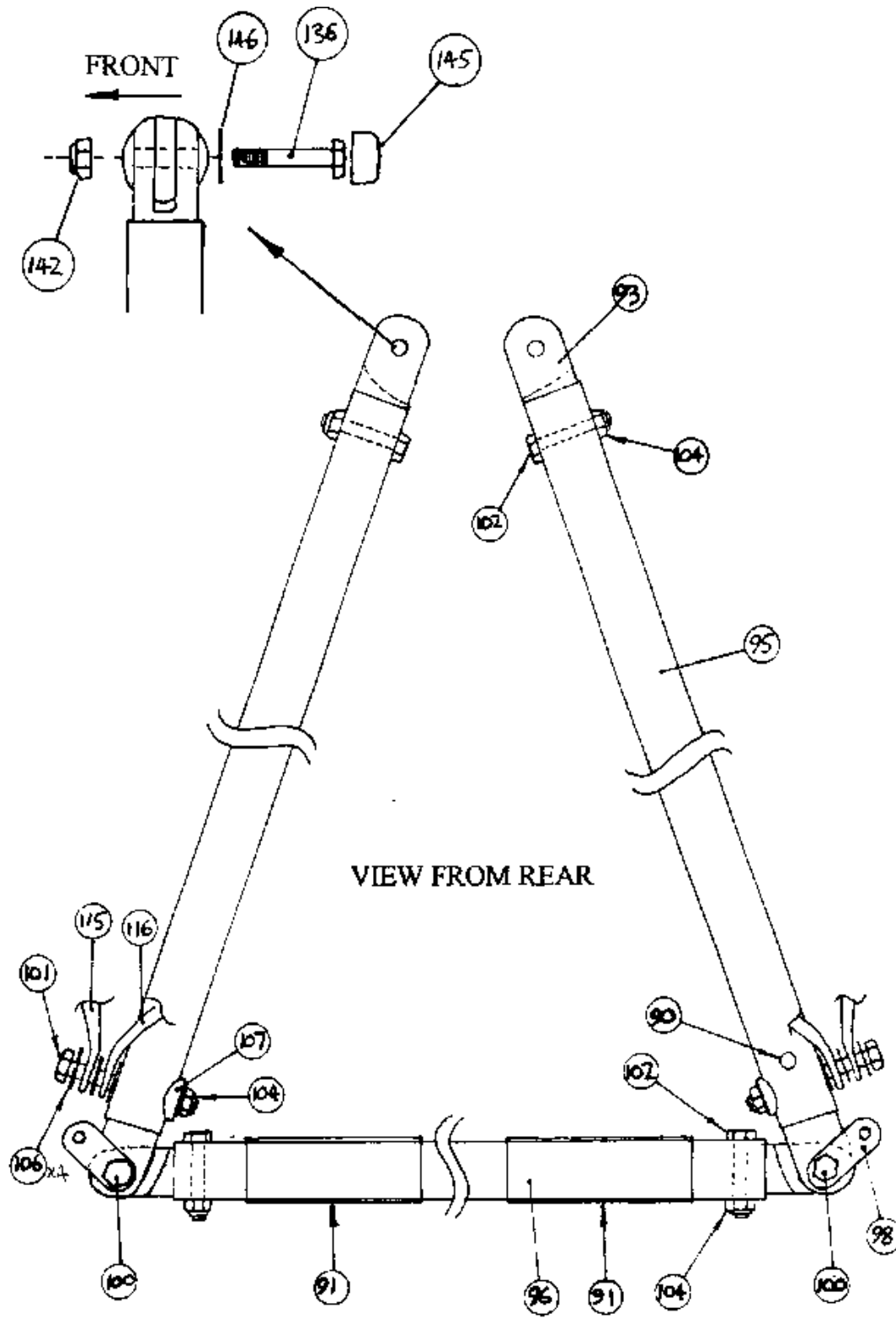
CROSS SPAR TO LEADING EDGE ASSEMBLY





KING POST TOP ASSEMBLY





CONTROL FRAME ASSEMBLY